

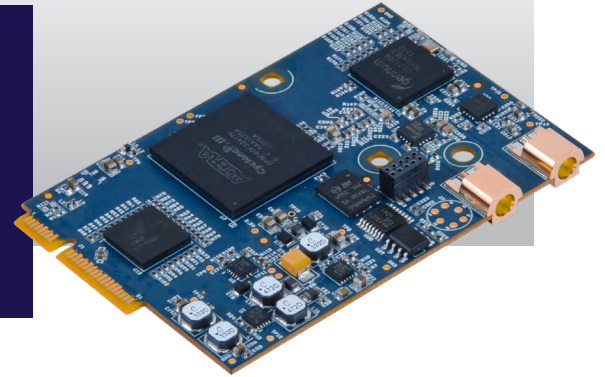
IMPERX

FRAMEGRABBERS

FRAME GRABBERS

VCE-HDmPCIe01

HD-SDI Mini-PCIe for Desktop PCs



Imperx: VCE-HDmPCIe01

IMPERX HD-SDI Mini-PCIe is a professional level PCI Express video capture card that enables users to view and store in real time mega pixel video images from any standard HD-SDI video source onto desktop PC computers. IMPERX HD-SDI Mini-PCIe is capable of capturing single or multiple frames and standard AVI clips from any SD or HD-SDI compliant video source. Each captured frame can be stamped with a user message along with the date and time of capture. A full software suite that includes drivers, C/C++, SDK, and an application program is provided with each IMPERX HD-SDI Mini-PCIe (VCE-HDmPCIe01) card.

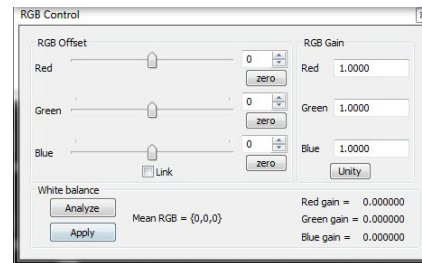
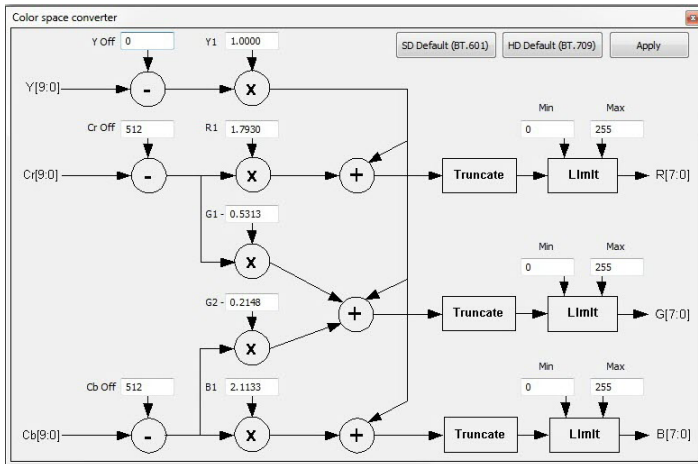
Key Features

- Mini-PCIe compliant providing 2.5 Gbps of bandwidth
- Intelligent scatter/gather DMA for fast, efficient use of PCIe x1 bandwidth and system memory
- SD and HD-SDI formats for 720p, 1080 and 1080p video
- SMPTE 292M serial interface and SMPTE 274M/296M framing
- SD or HD-SDI real time video and audio acquisition with SDI loop-through
- Audio acquisition of two 24 bit channels @ 48KHz
- A second MCX coaxial connector provides an SDI loop-through capability
- Bi-directional RS232/RS485 serial interface for camera control (Optional)
- 16/20 bit YCrCb 4:2:2 or 24-bit RGB formatting
- Flow-through pipeline architecture for low latency
- On board color space conversion
- Dynamic buffer allocation
- Selectable window sizes
- Adjustable RGB brightness and auto white balance
- Programmable RGB lookup tables and gamma correction
- Captures single, multiple frames or AVI clips
- Normal or delay capture
- Date, time and text overlay
- RAW, BMP, TIFF or adjustable JPEG file format
- Image viewer with DVR controls
- Plug-and-Play operation with hot insertion / removal
- Histograms, hex pixel dump

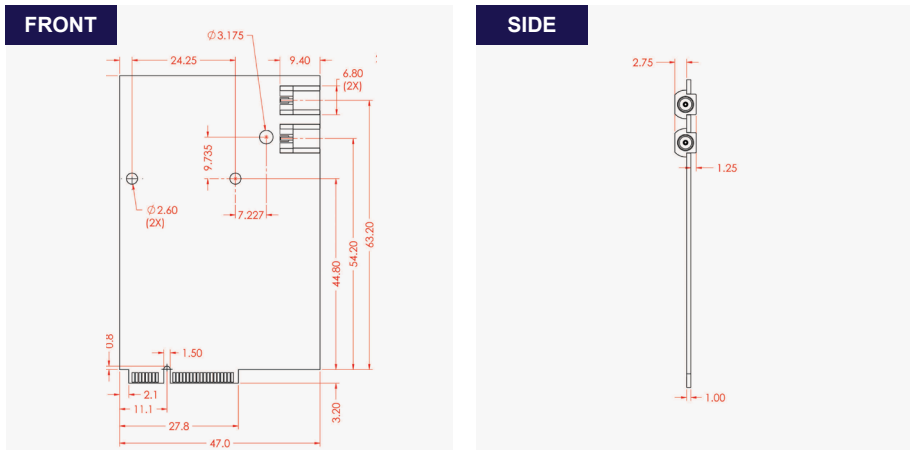
Specifications

Feature	Description	Feature	Description
Software	Application program: Full featured, intuitive, easy to use GUI Drivers: Windows 10/11, DirectX, Halcon, Adobe Premiere, Matlab SDK: C/C++, COM, .NET, ActiveX – all with sample source code	Mechanical	Low profile PCI Express form factor
Video Source	Two 75 ohm MCX coaxial connectors (in and out) Analog SMPTE 292M serial interface operating at 1.485Gbps SMPTE 274M and SMPTE 296M framing	Weight	1.91 oz. (47 g)
Power	3.3 V DC +/-5%, 500 mA steady 1.65 W constant power	Environmental	-40 °C to +85 °C Operating
Communications	RS232/RS485 ASYNC UART for camera control 6-pin Hirose style connector (Optional)	Humidity	90% non-condensing
		MTBF	>372,000 hours @ 50°C (MIL-STD-785B, MIL-HDBK-217F)
		Regulatory	FCC Part 15 Class B, CE, RoHS

Software



Dimensions



Ordering Information

VCE-HDmPCIe01

For specific details and ordering information, consult the HD-SDI Express user's manual or contact IMPERX at sales@imperx.com.

Rev: VCE-HDmPCIe01_r4_2023

Quality Management System ISO 9001:2015 Registered
 Environmental Management System ISO 14001:2015 Registered
 DDTC Registered (Directorate of Defense Trade Controls, US Department of State)



IMPERX 6421 Congress Ave., Boca Raton, FL 33487, USA
 Tel: +1-561-989-0006. Email: sales@imperx.com

WWW.IMPERX.COM

Technical data has been fully checked, but accuracy of printed matter is not guaranteed. Subject to change without notice. Copyright 2023