

# IMPERX

## LED PoE Ring Light



### Imperx: LED PoE Ring Light

The LED Power-over-Ethernet (PoE) Ring Light is the latest innovation from IMPERX to simplify LED installation with minimal cabling. Using a patent-pending design, Ring Light power is derived from a PoE interface in which power and data are passed through to an adjoining PoE camera. While the LED PoE Ring Light can be used with any PoE camera, Bobcat cameras have a built-in pulse generator function that can be used to provide PWM intensity control.

### Specifications

Feature	Description
General	LED Ring Light with PoE Pass Thru or DC Power input
Camera Power Output	24/12Vdc; (6W to 12W) (see table)
Electrical Input	PoE, PoE+, EXT 24Vdc adapter
Strobe Input	TTL and open collector (NPN) compatible
Signal Compatibility	DC to 10kHz (PWM mode), active low (off)
Operating Modes	Continuous, strobe or PWM dimming
Camera Compatibility	Any GEV Camera
Local Control	Rotary switch, adjustable from 20% to 100% (15 steps)
Remote Control	Strobe or PWM input for 0 to 100% dimming
Peak Light Intensity	15,000 lux @ .3m, 10,000 lux @ .5m
Working Distance	.5m to 5m
Connectors	RJ45 for PoE connection and camera data, Weidmüller OMNIMATE B2L 3.50F 6-position connector for remote power and user-supplied external power supply (optional)
IP Rating	IP50
Housing Material	Aluminum
Operation Temperature	-20°C to +50°C
Storage Temperature	+20°C to +70°C
Dimensions - Outside	86.0 x 34.8 x 130.0
Dimensions - Inside	50.00 diagonal
Opening	
Weight	285g
Regulatory	CE, FCC
Available Lighting Colors	Standard: WHT-cool, WHT-neutral, RED Custom: Green, Blue, UV, IR

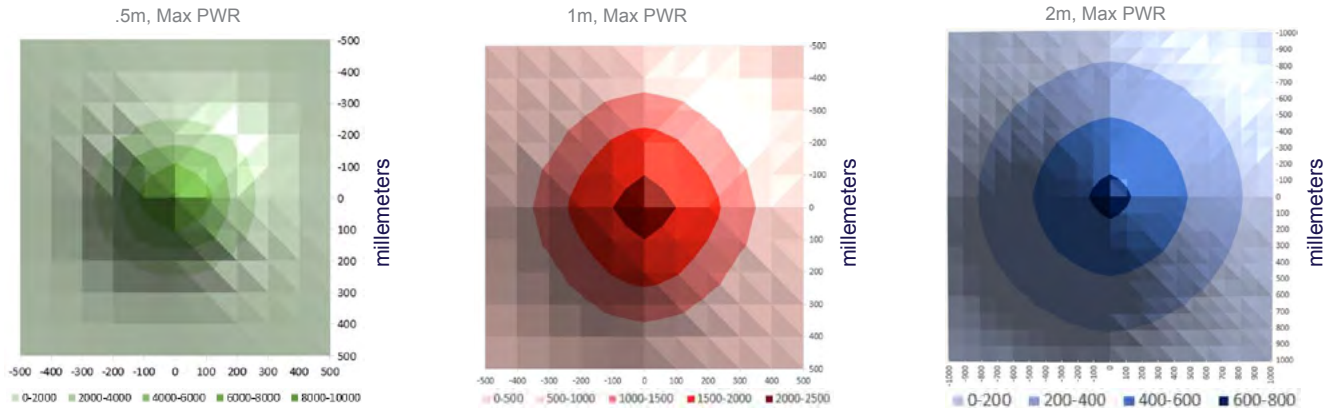
### LED Ring Light Mounting Option with Camera



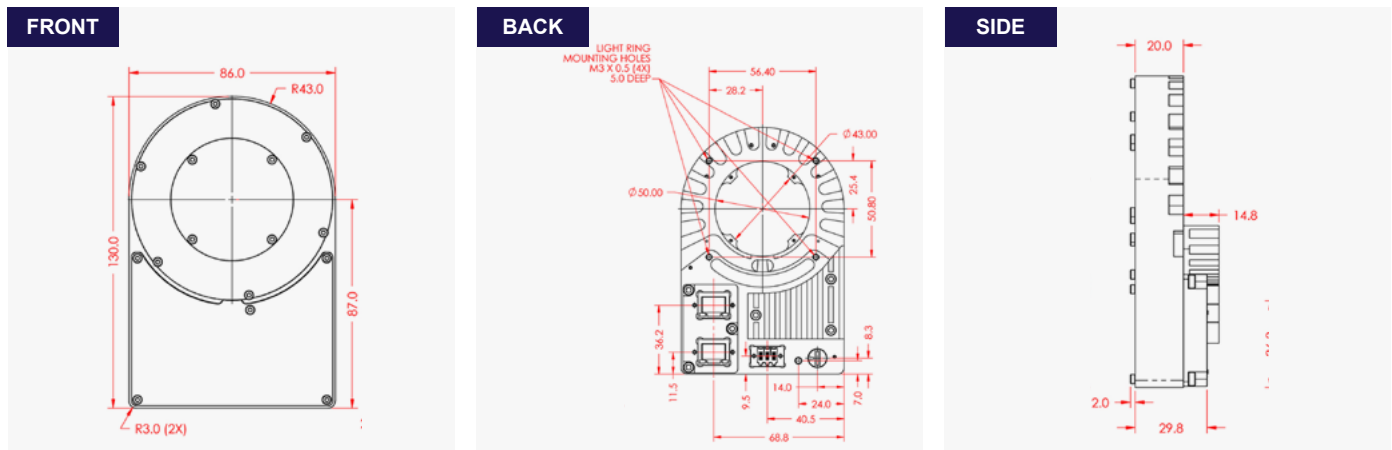
## Imperx: LED PoE Ring Light: Applications

Controlled light pattern • illumination above the ambient level • Special wavelength light • Dynamic capability • fast on/off or level changes • Light synchronized to camera (strobe) • Efficient light source (better than incandescent) • Long life light source much higher MTBF than incandescent • Compact light source • More stable illumination (time and temperature) • Infinitely variable output

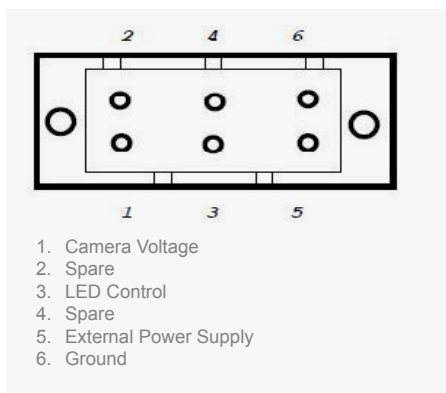
## Light Distribution



## Dimensions



## Weidmüller OMNIMATE B2L 3.50F 6-pin Connector



## Power Options

Max PWR	LED	CAMERA	SYSTEM
PoE	6W	6W	15W max
PoE +	14W	8W	25W max
EXT	16W	12W	30W max

## Ordering Information

<b>Light Type</b>	LED
<b>Body Type</b>	Ring - (R)
<b>Size</b>	90mm - (090)
<b>LED Lens Angle</b>	Medium (Standard) - M Narrow - (N) Wide (No Lens) - W
<b>Power and Control LED Light</b>	GEV PoE - (G)
<b>Custom ID #</b>	(00) IMPERX Assigned

<b>Compatibility</b>	C-Mount Cameras Bracket provided for Imperx Bobcat Camera
<b>LED Color/Spectrum</b>	White Cool (Standard) - 5600K - (WC) White Neutral - 4100K (WN) Red - 627 nm (RR) Blue - 470.0 nm (BB) Green - 530.0 nm (GG) IR - 850.0 nm (IR) UV - 365.0 nm (UV)
<b>Diffuser</b>	Matte (Standard) - (0) Clear - (1)

Quality Management System ISO 9001:2008 Registered  
Environmental Management System ISO 14001:2004 Registered  
DDTC Registered (Directorate of Defense Trade Controls, US Department of State)

**IMPERX**

Industrial Cameras & Imaging Systems

IMPERX 6421 Congress Ave., Boca Raton, FL 33487, USA  
Tel: +1-561-989-0006. Email: sales@imperx.com

WWW.IMPERX.COM

Technical data has been fully checked, but accuracy of printed matter is not guaranteed. Subject to change without notice. Copyright 2016.