

# IMPERX

## LED Ring Light Power from External DC Input



### Imperx: LED DC Power

The Imperx LED Ring Light with External DC Input provides brighter LED intensity than the PoE ring light. The LED ring light offers a choice of LED color and provides consistent and controlled illumination, enabling use of faster frame rates and a broad range of apertures to achieve optimal image quality. The DC version is powered externally through a 6-pin connector and allows local and remote control of intensity. Users can provide their own power supply or purchase one from Imperx (PS24V01).

### Specifications

Feature	Description
General	LED Ring Light with DC power input
Lighting Colors	Standard – White Cool, White Neutral, Blue, Green, Red, IR, UV
Strobe Input	TTL and open collector (NPN) compatible
Signal Compatibility	DC to 10kHz (PWM mode), active low (off)
Operating Modes	Continuous, strobe or PWM dimming
Camera Compatibility	All Bobcat C-mount cameras. Bobcat has built in PWM Control
Local Control	Rotary switch, adjustable from 20% to 100% (15 steps)
Remote Control	Strobe/PWM input for 0 to 100% dimming
Peak Light Intensity	20,000 lux @ .3m, 15,000 lux @ .5m
Working Distance	0.5m to 5m
Connectors	Weidmüller OMNIMATE B2L 3.50F 6-pin
IP Rating	IP50
Housing Material	Aluminum
Operation Temperature	-20°C to +50°C
Storage Temperature	-20°C to +70°C
Outside Dimensions	98 mm diameter x 38mm deep
Inside Opening Dimensions	50mm diagonal
Weight	285g
Camera Power Output	12VDC (+/- .5V) @ 1A maximum
Electrical Input	24VDC (30W - 50W power supply recommended)
Current	1.0A@24VDC (typ.)
Regulatory	CE, FCC

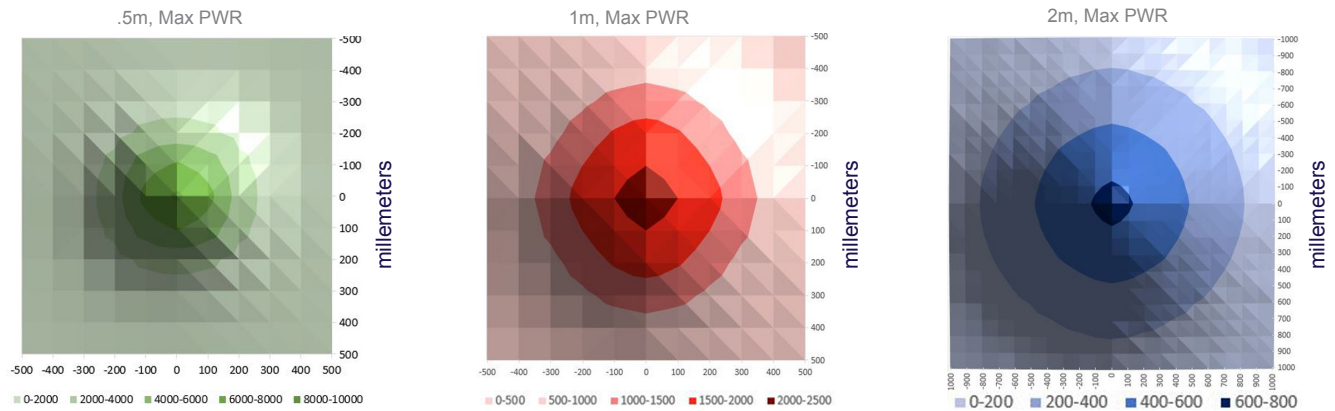
### Non-PoE LED Ring Light Mounting Option with Camera



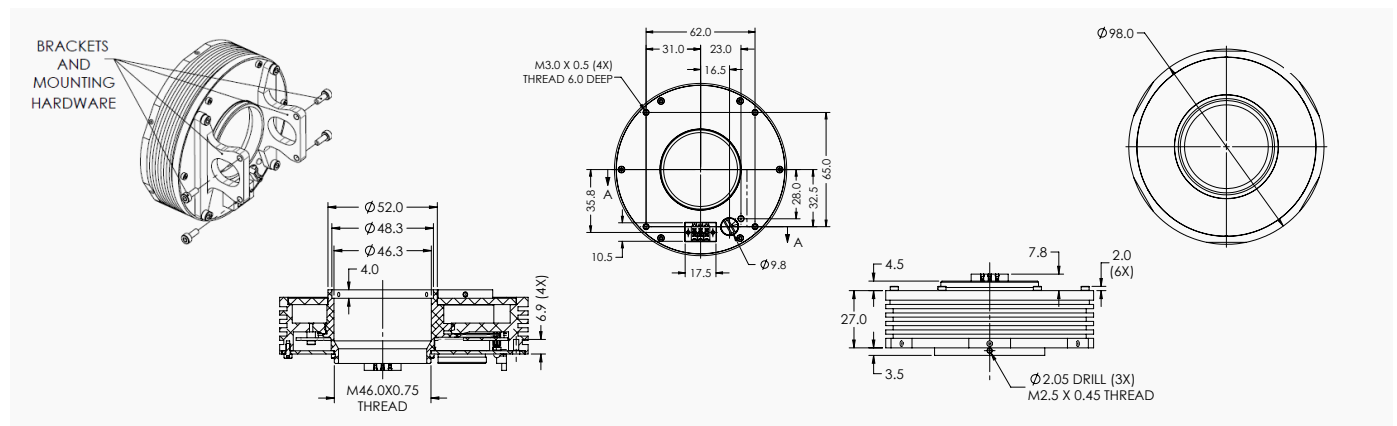
## Imperx: LED Non-PoE Ring Light Applications

Controlled light pattern • Special wavelength light • Dynamic capability • Fast on/off or level changes • Light synchronized to camera (strobe) • Efficient LEDs for lower power dissipation and long life • Compact light source • More stable illumination (time and temperature) • Highly variable output

### Light Distribution



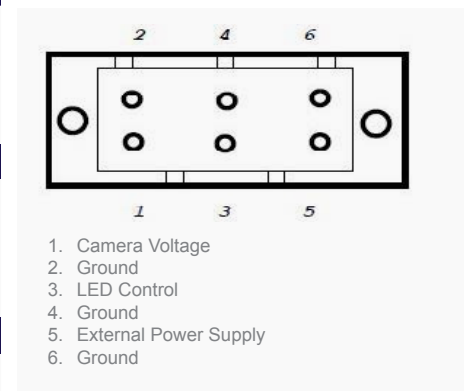
### Dimensions



### Ordering Information

LED Color Spectrum Available		LED Lens Angle	
<b>Code:</b>	<b>Description:</b>	<b>Code:</b>	<b>Description:</b>
WC	White Cool (5600K)	M	Medium (standard)
WN	White Neutral (4100K)	N	Narrow
BB	Blue (470.0 nm)	W	Wide (no lens)
GG	Green (530.0 nm)		
RR	Red (627 nm)		
IR	Infrared (850.0 nm)		
UW	Ultraviolet (365.0 nm)		
Diffuser		Ordering Example	
0	Matte (Standard)	LED-R090WC-PM000 (LED Ring Light)	
1	Clear	<b>WC</b> = LED Color, white cool	
2	Matte/Clear Camera Protection Filter	<b>M</b> = LED Lens Angle, standard	
3	Clear/Clear Camera Protection Filter	<b>0</b> = Diffuser, matte	
		Accessories	
		PS24V01 Power Supply (24VDC, 2.0A, 2-meter able length)	
		Kit-Mount-LRP (includes mounting brackets and screws)	

### Weidmüller OMNIMATE B2L 3.50F 6-pin Connector



Mating plug, Weidmüller order number 1748010000, supplied with unit.



IMPERX 6421 Congress Ave., Boca Raton, FL 33487, USA  
Tel: +1-561-989-0006. Email: sales@imperx.com

Quality Management System ISO 9001:2008 Registered  
Environmental Management System ISO 14001:2004 Registered  
DDTC Registered (Directorate of Defense Trade Controls, US Department of State)

WWW.IMPERX.COM

Technical data has been fully checked, but accuracy of printed matter is not guaranteed. Subject to change without notice. Copyright 2016.